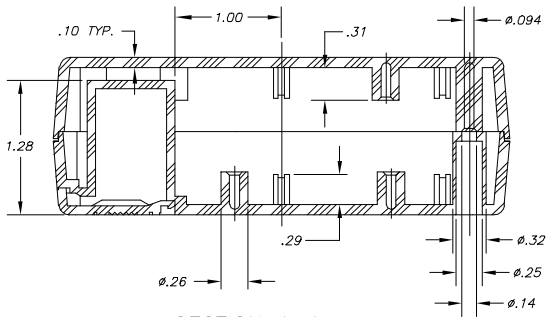
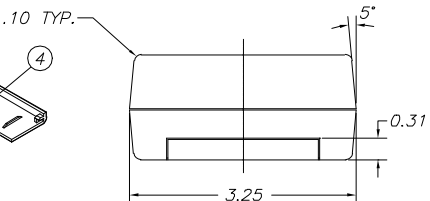
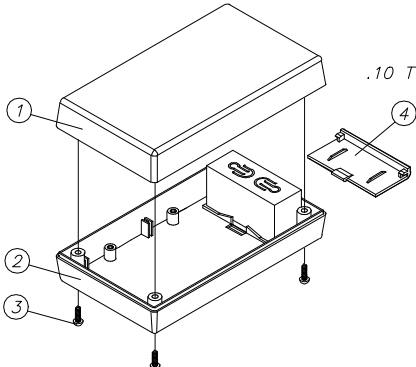
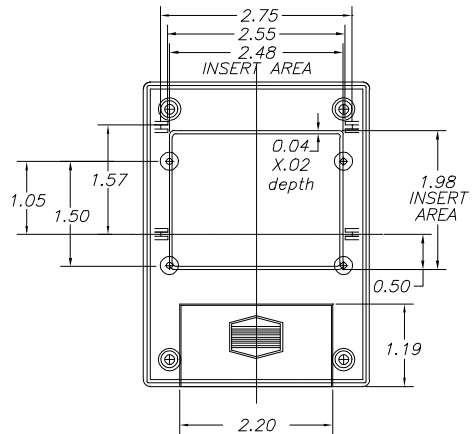
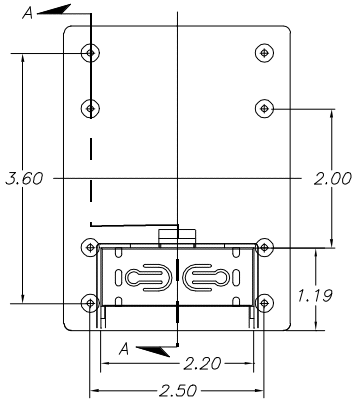
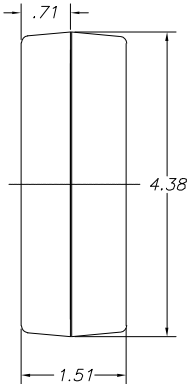


SERPAC 231

Electronics Enclosures

NOTES:
 1. WHEN MACHINE OR I PLATES MODIFICATIONS ARE REQUIRED, USE THE CENTER OF THE BOX TO DIMENSION.



10-02-98

ALL DIMENSIONS ± .010

| ITEM | PART NO. | DESCRIPTION | ACCESSORIES | |
|------|----------|-----------------------|-------------|-------------------------------|
| | | | PART NO. | DESCRIPTION |
| 1 | 31 | PLASTIC TOP | | |
| 2 | 23 | PLASTIC BOTTOM | | |
| 3 | 1025 | PLASTIC BATTERY COVER | 50 | FEET |
| 4 | 6005 | SCREWS (4) | 339 | PROTOTYPE GRID BOARD (HORIZ.) |
| | | | 439 | PROTOTYPE CLAD BOARD (HORIZ.) |
| | | | 331 | PROTOTYPE GRID BOARD (VERT.) |
| | | | 431 | PROTOTYPE CLAD BOARD (VERT.) |
| | | | PC | POCKET CLIP |

SECTION A-A